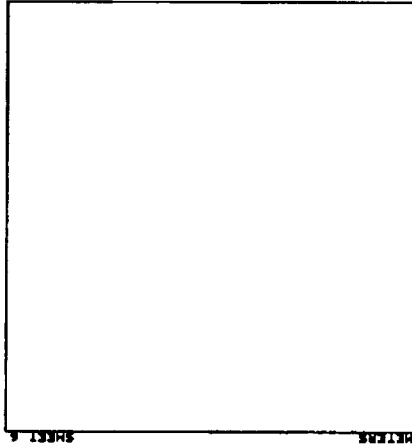
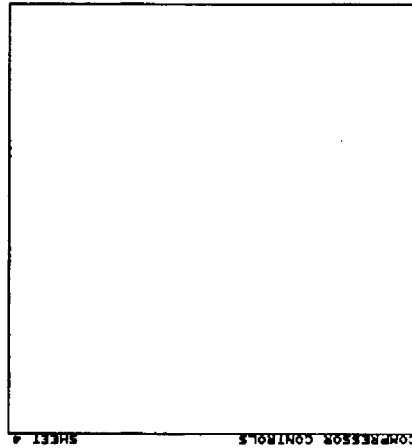


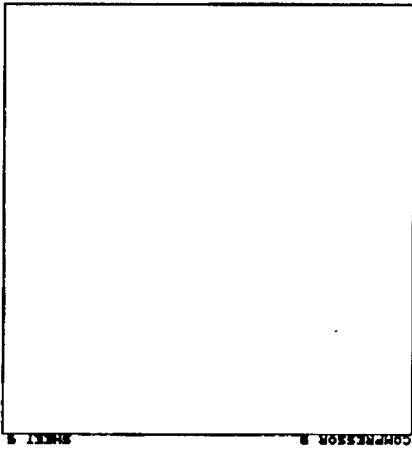
Order: February 11, 1996 Sheet 5 of 5  
REV B CD1136  
Size Document Number  
INDIGO/CRIMSON COMPRESSOR  
TITLE  
T L Ruddle  
COPYRIGHT 1996



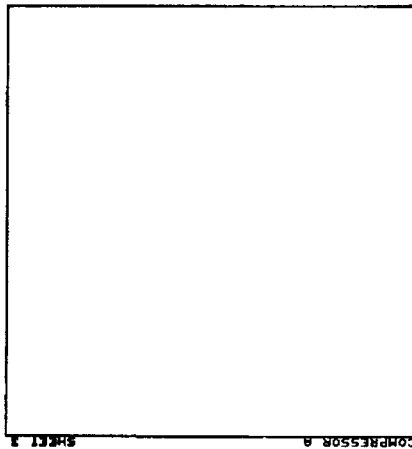
WHEELS SHEET 4



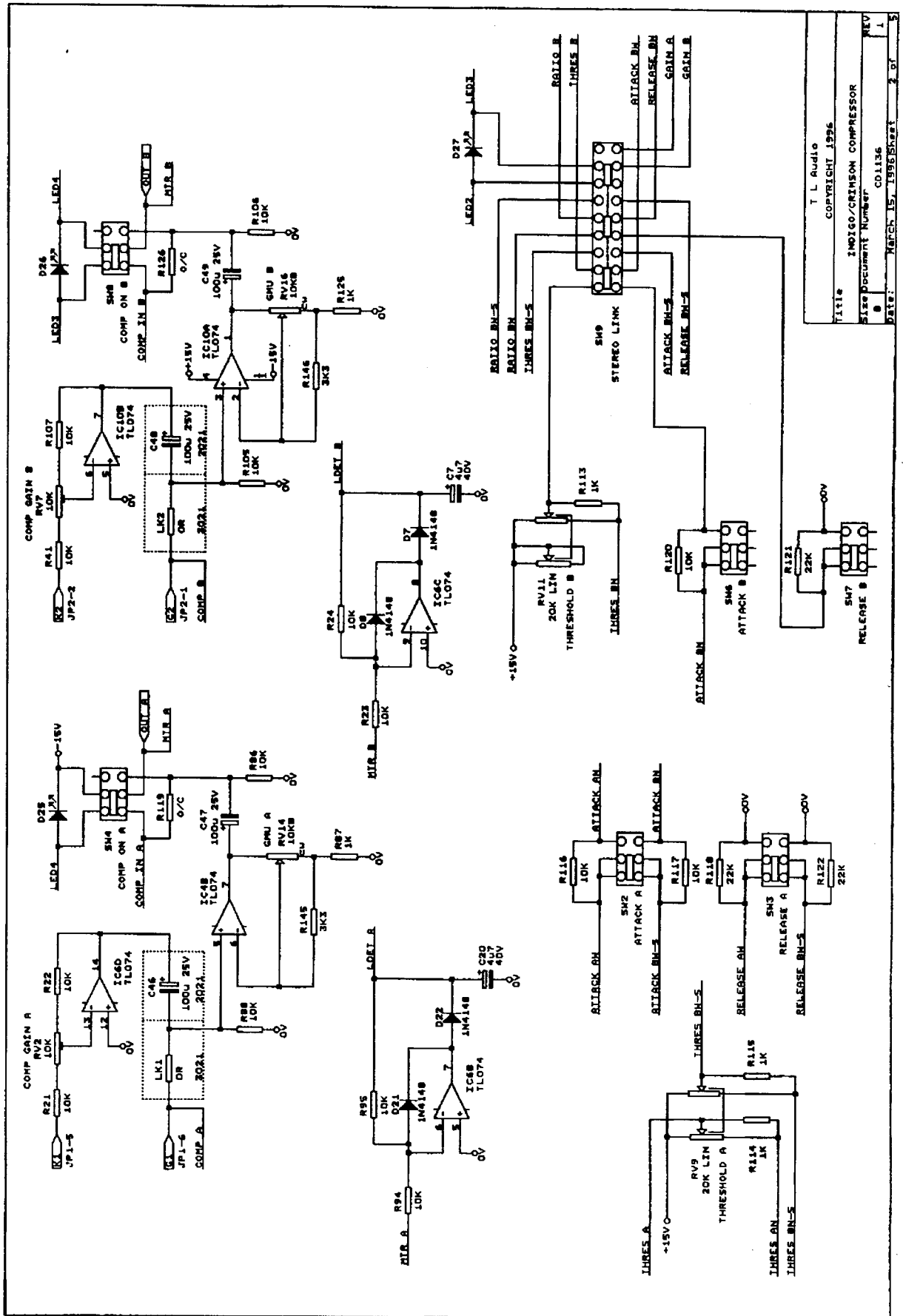
COMPRESSOR CONTROLS SHEET 4



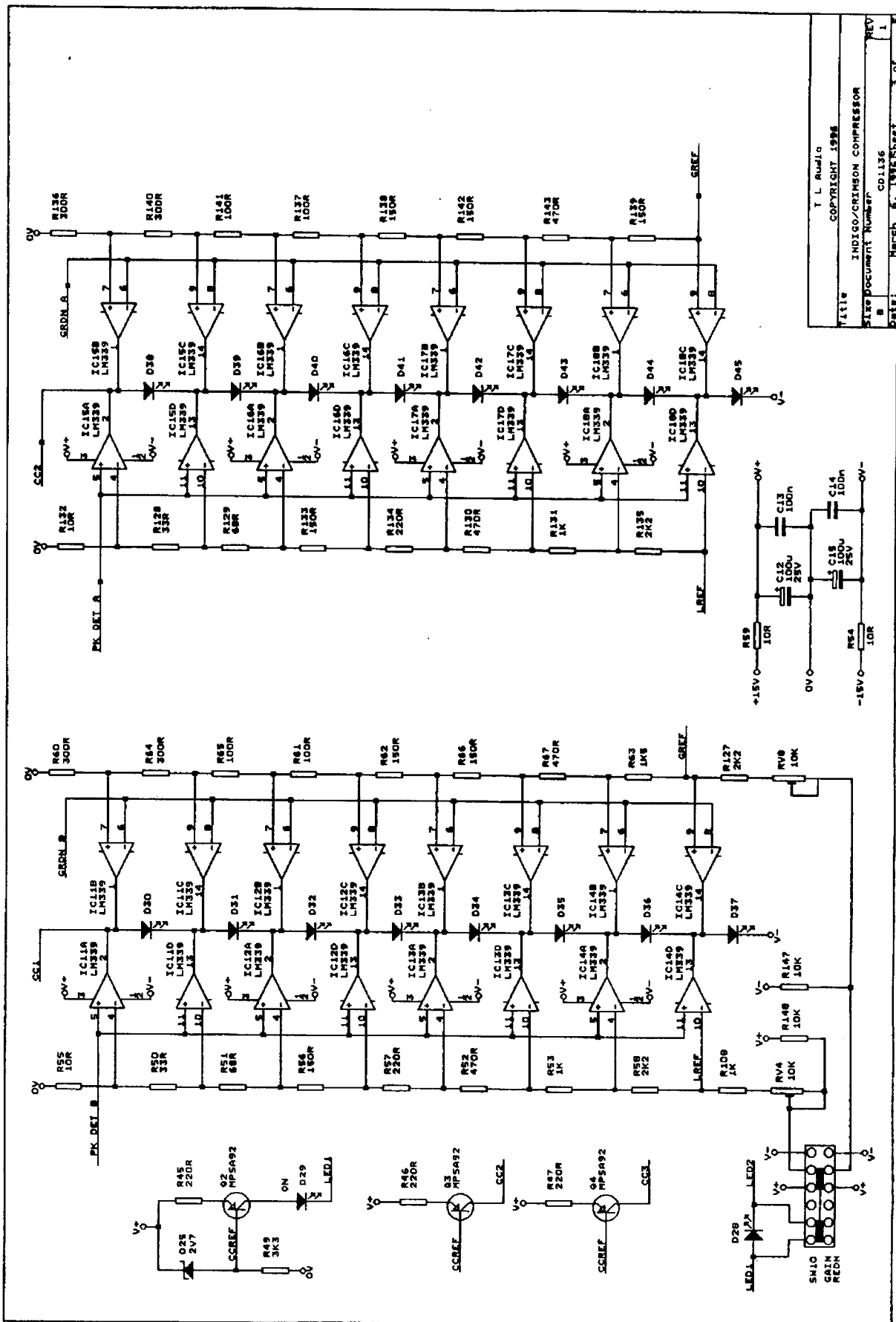
COMPRESSOR B SHEET 3



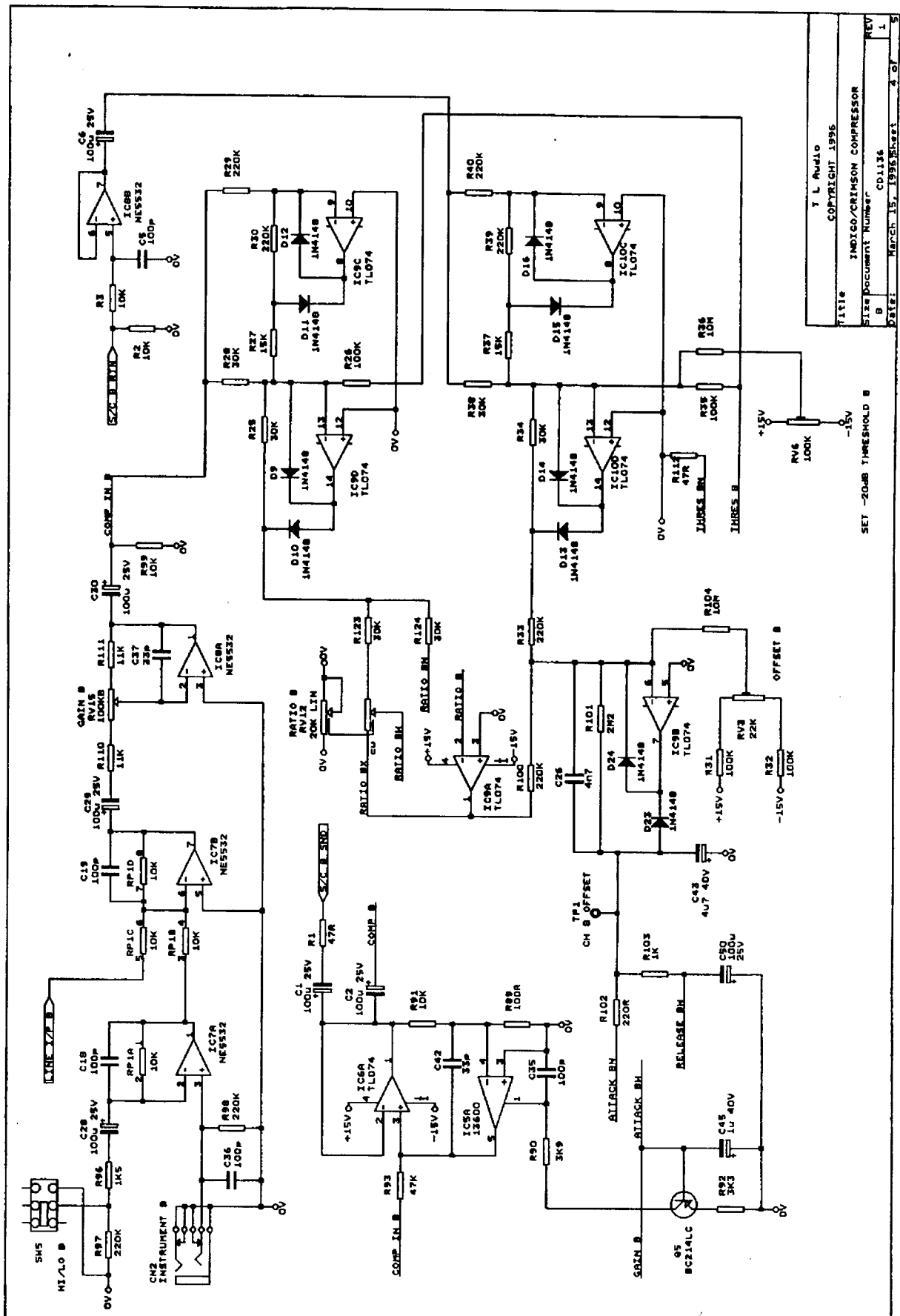
COMPRESSOR A SHEET 3



T L Audio  
 COPYRIGHT 1996  
 Title IM100/CRIMSON COMPRESSOR  
 Size Document Number 01136  
 REV 1  
 Date: March 15, 1995Sheet 2 of 5



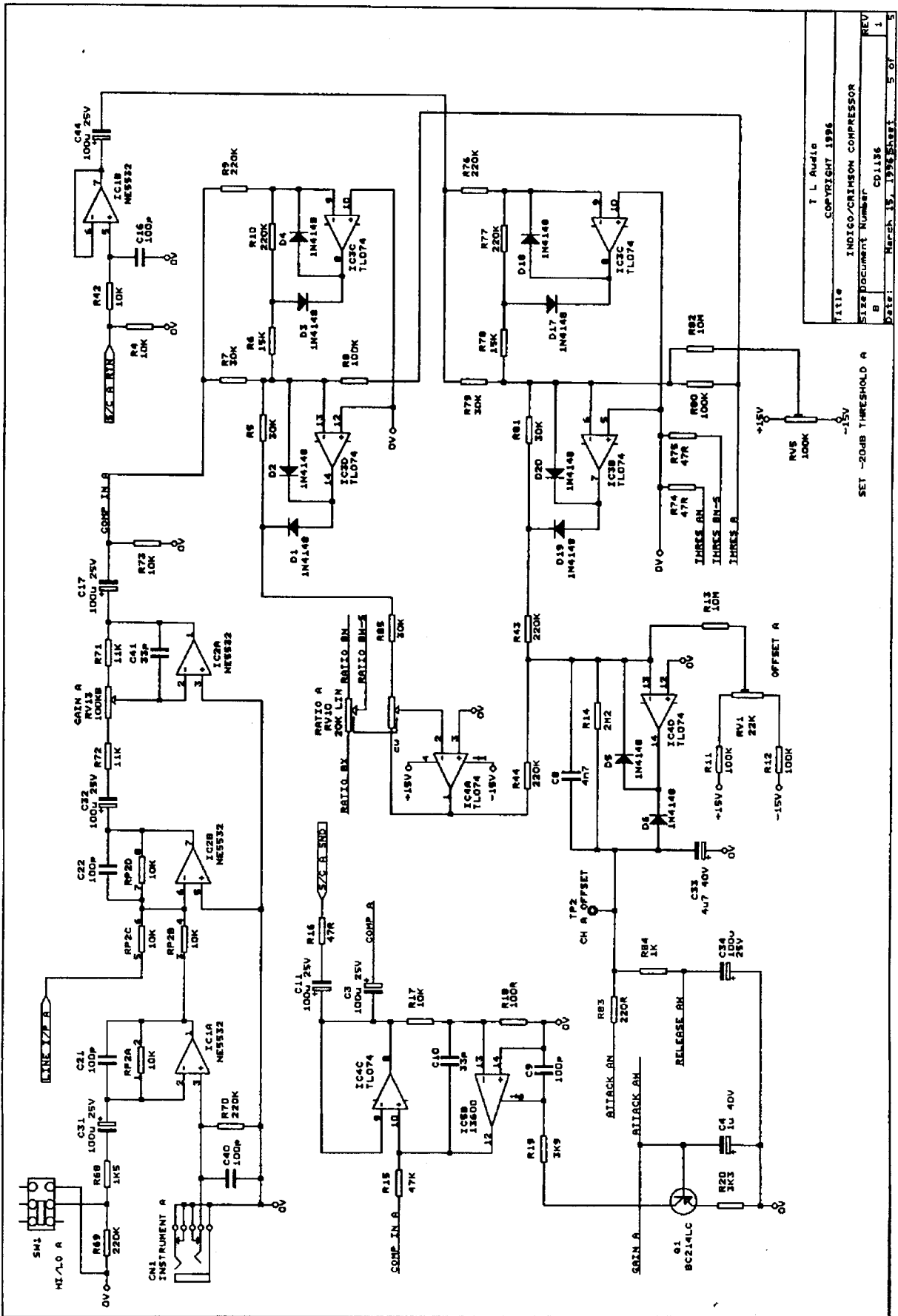
T. L. Audio  
 COPYRIGHT 1998  
 TITLE INDIGO/CRIMSON COMPRESSOR  
 B  
 Size Document Number CD.1136  
 Date: March 5, 1998 Ret 3 of 5  
 REV 1



Title IMDiCO/CRIMSON COMPRESSOR  
 Size Document Number CD1136  
 Rev 1  
 Date: MAR/CH 15, 1995

SET -20dB THRESHOLD B

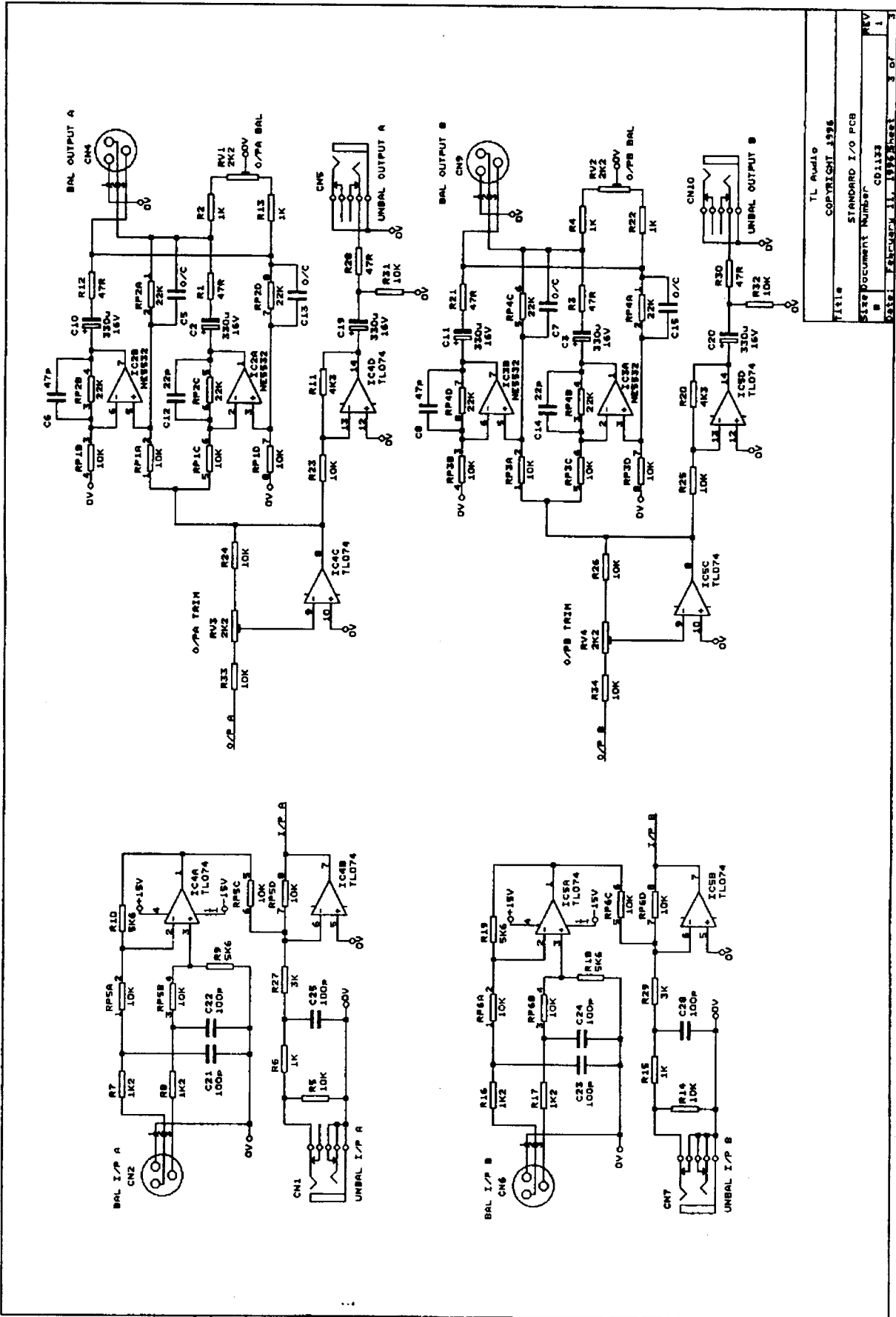
Y L Audio  
COPYRIGHT 1995



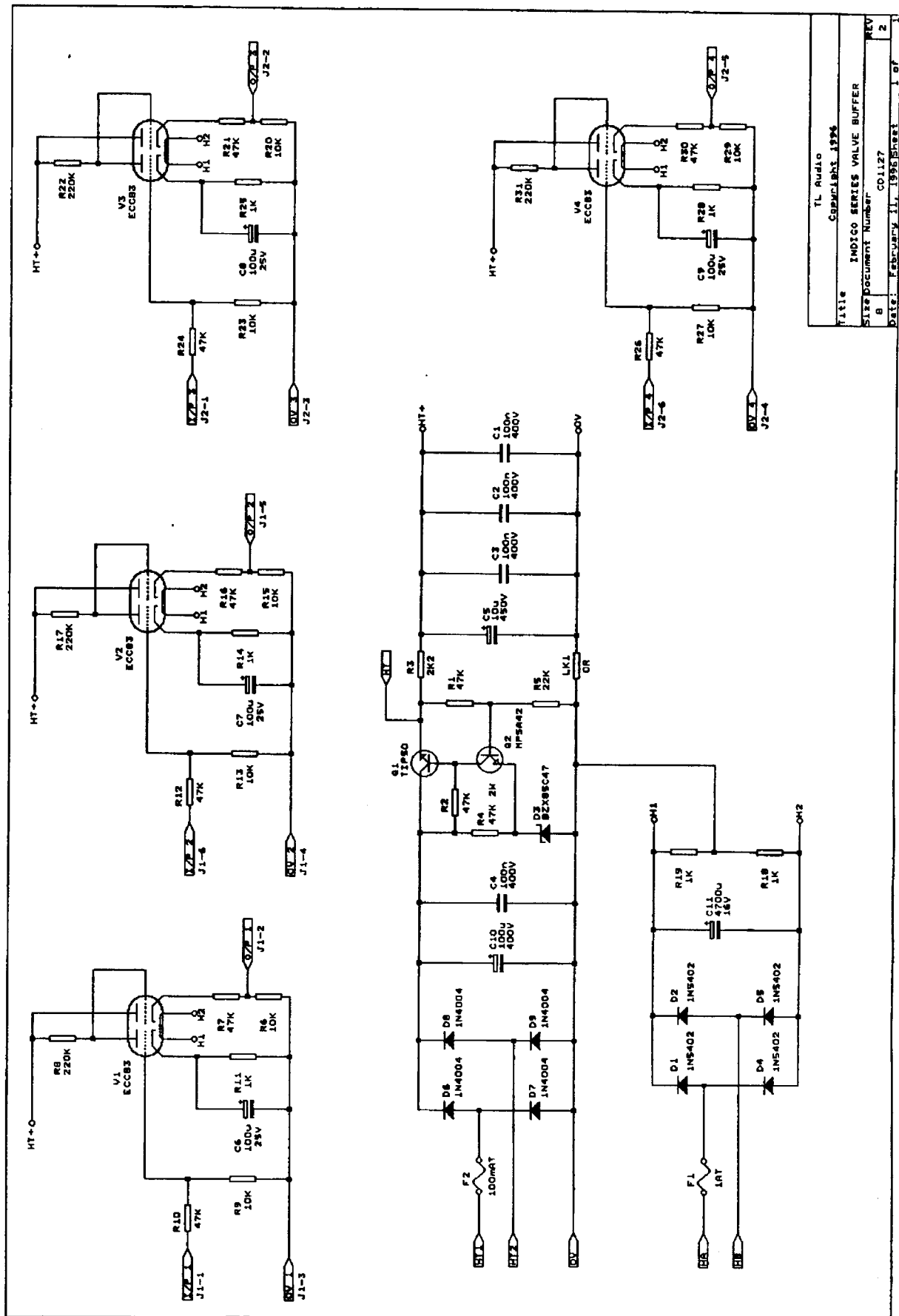
T L Awala  
 COPYRIGHT 1986  
 INDIGO/CRIMSON COMPRESSOR  
 SIZE DOCUMENT NUMBER COL136  
 REV 1  
 B  
 DESIGNED BY: T L AWALA

SET -20dB THRESHOLD A



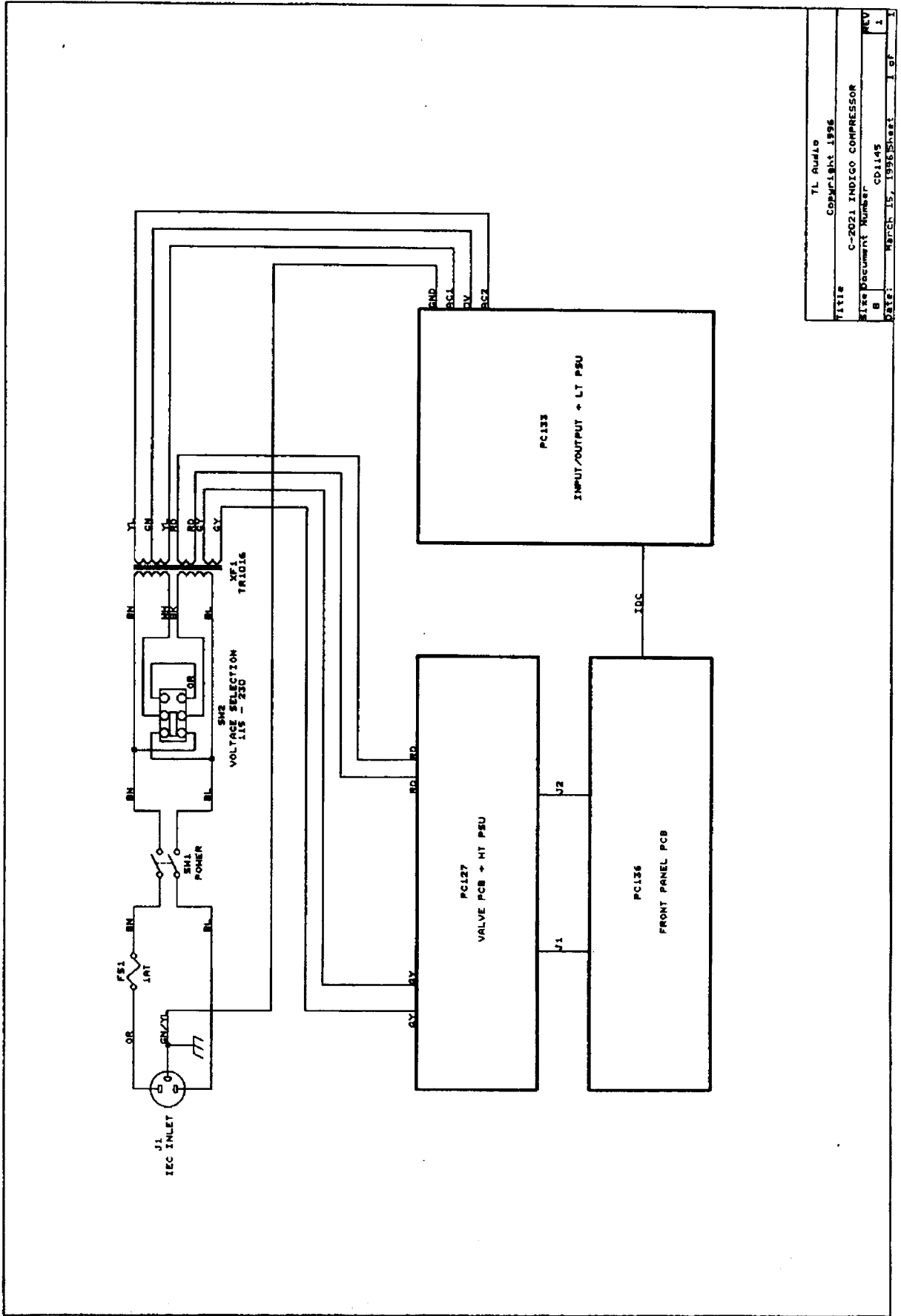


FILE	TL Audio
SIZE	STANDARD I/O PCB
REV	1
DATE	1996



TL Audio	
COPM:LRM1.1996	
Title INDIGO SERIES VALVE BUFFER	
Size	Document Number
8	CO1127
REV	Date: February 11, 1996 Sheet
2	1 of 2





TITLE	TL Audio
DATE	COPYRIGHT 1996
REV	C-2021 INDIGO COMPRESSOR
REV	Size Document Number
REV	B CD1145
REV	DATE: MARCH 15, 1995
REV	1 OF 1