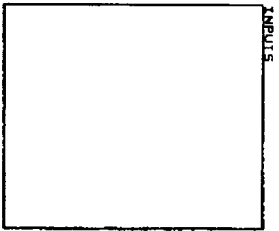
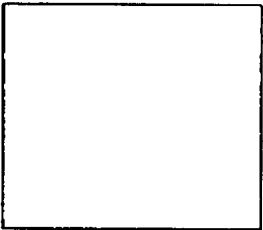


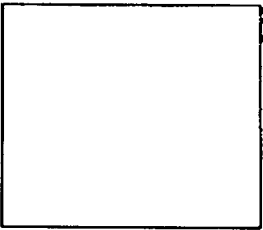
TL Audio
Copyright 1996
EQ 2011 INDICO EQUALISER
Document Number: CD1143
Date: MARCH 15, 1995/REVIT
1 of 1



INPUTS

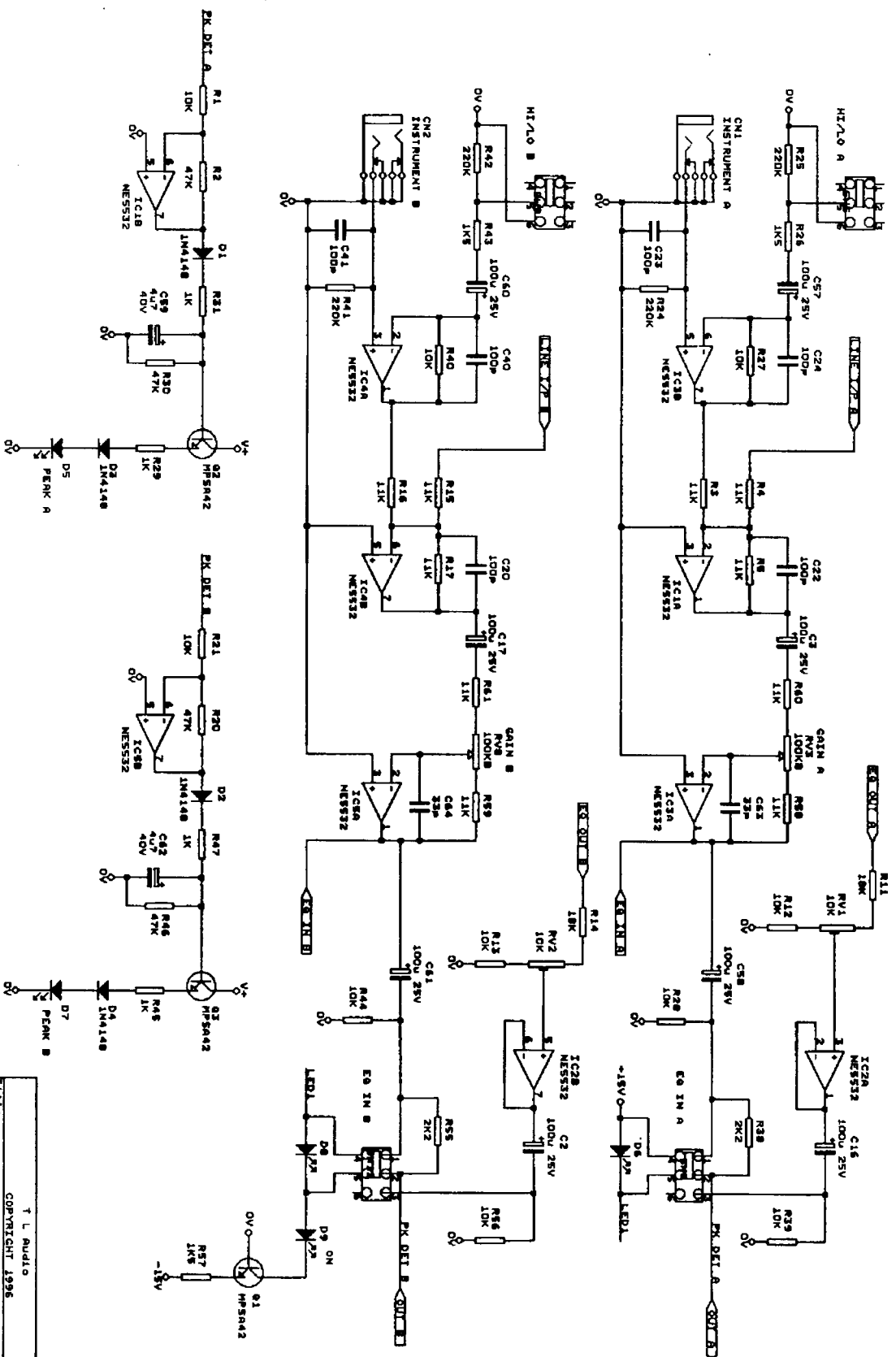


EQ. 8

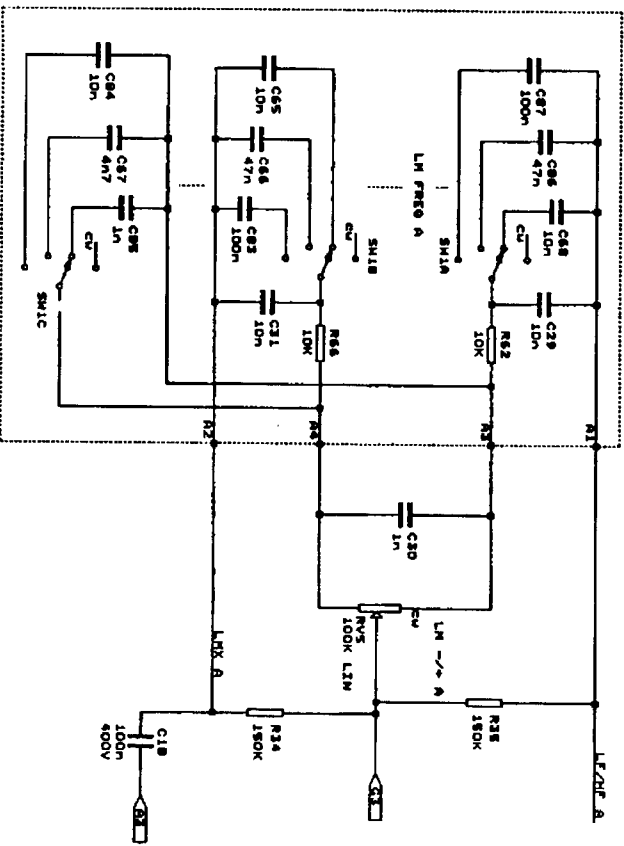
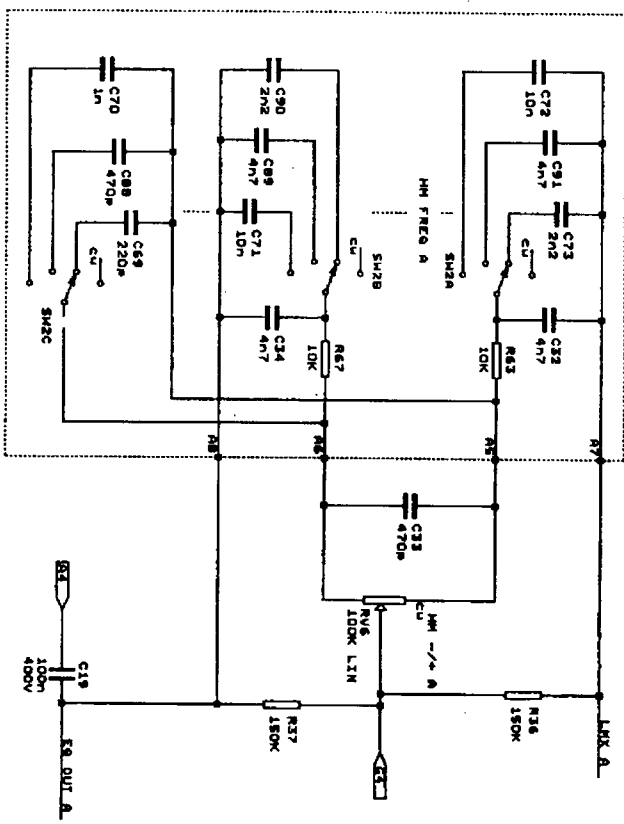
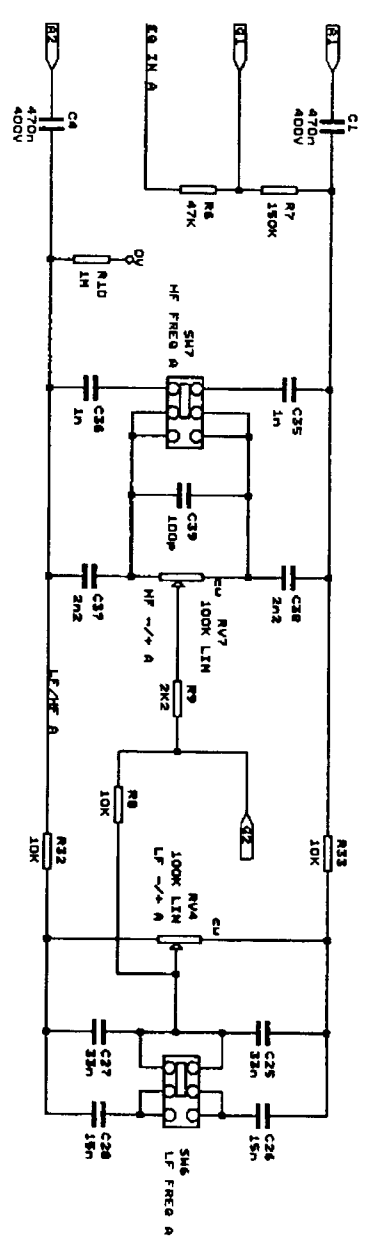


EQ. 1

TL Audio	
COPYRIGHT 1998	
TITLE 2011 EQUALIZER	
SERIAL DOCUMENT NUMBER	041138
REV	1
DATE: FEBRUARY 11, 1998	SECRET
1 of 1	

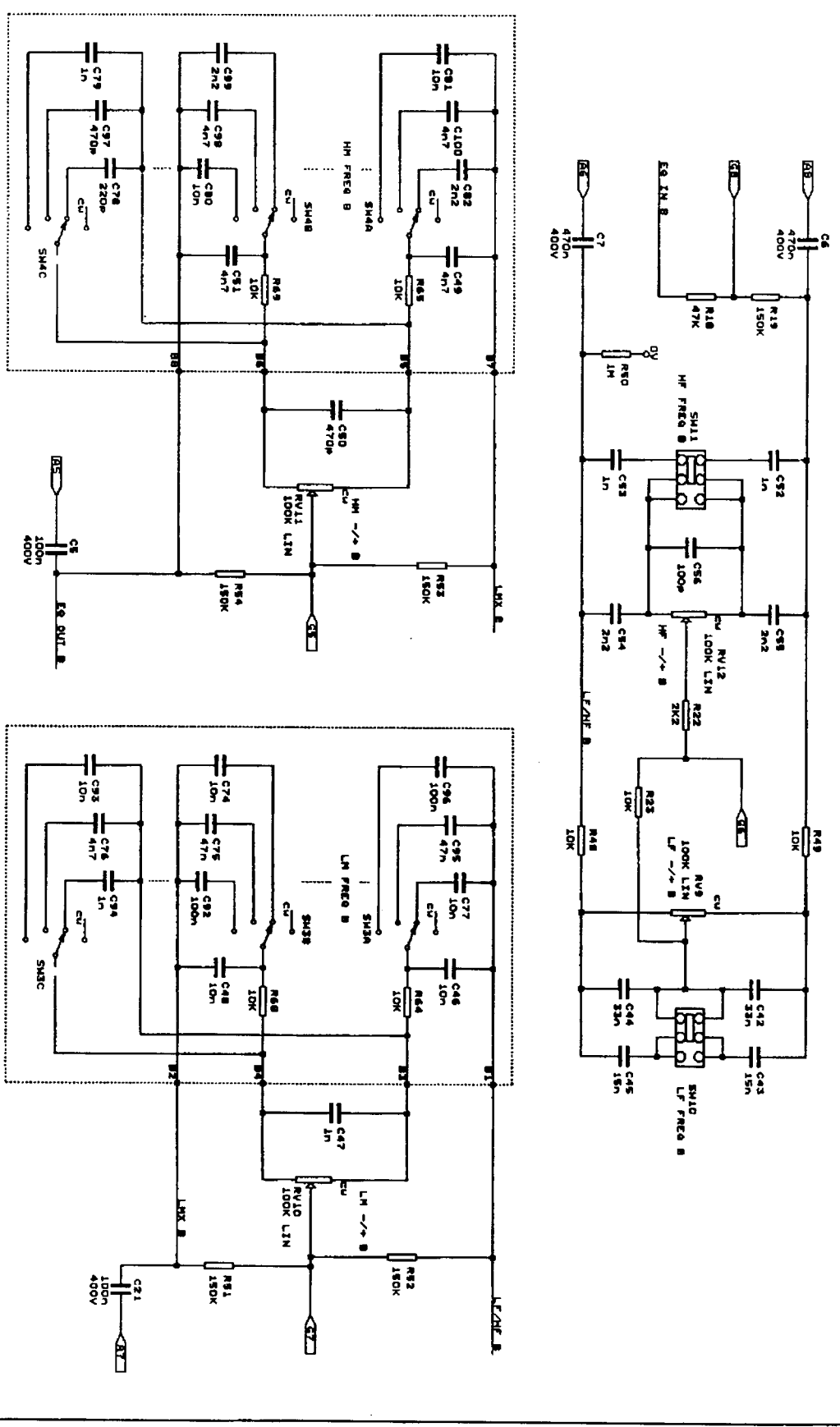


T L Audio
 COPYRIGHT 1995
 TITLE 2011 EQUALIZER
 Schem Document Number 01118
 Date: February 11, 1995
 2 of 4



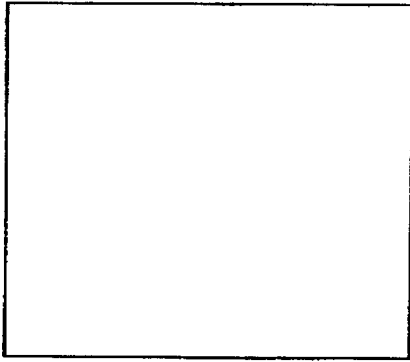
COMPONENTS WITHIN DOTTED LINES ARE LOCATED ON PC1389

DESIGN	REVISION	DATE
1	1	1996
I. L. RUDLO COPYRIGHT 1996 2011 EQUALISER DOCUMENT NUMBER CD1130 REV 1 3 OF 5		



COMPONENTS WITHIN DOTTED LINES ARE LOCATED ON PC138C

T. L. Radio	
COPYRIGHT 1986	
2011 EQUALIZER	
SIZE DOCUMENT NUMBER: C01188	
DATE: FEBRUARY 11, 1985	REV: 1
REV: 1	4 OF 4



TABLES + OUTPUTS

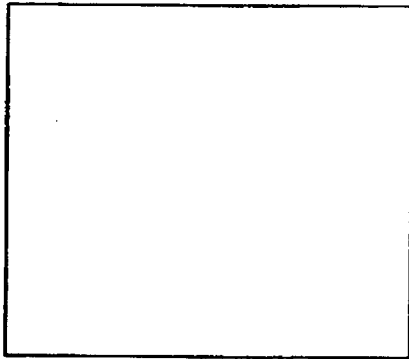
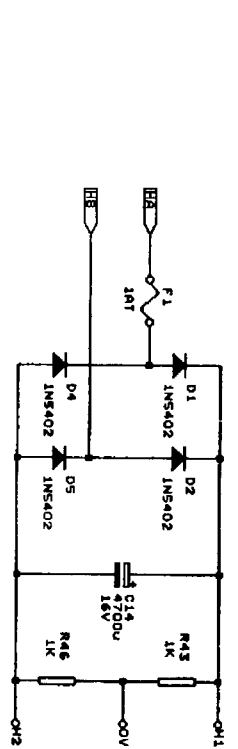
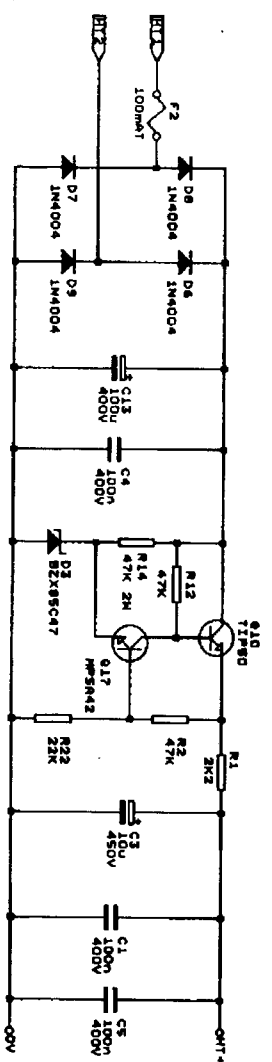
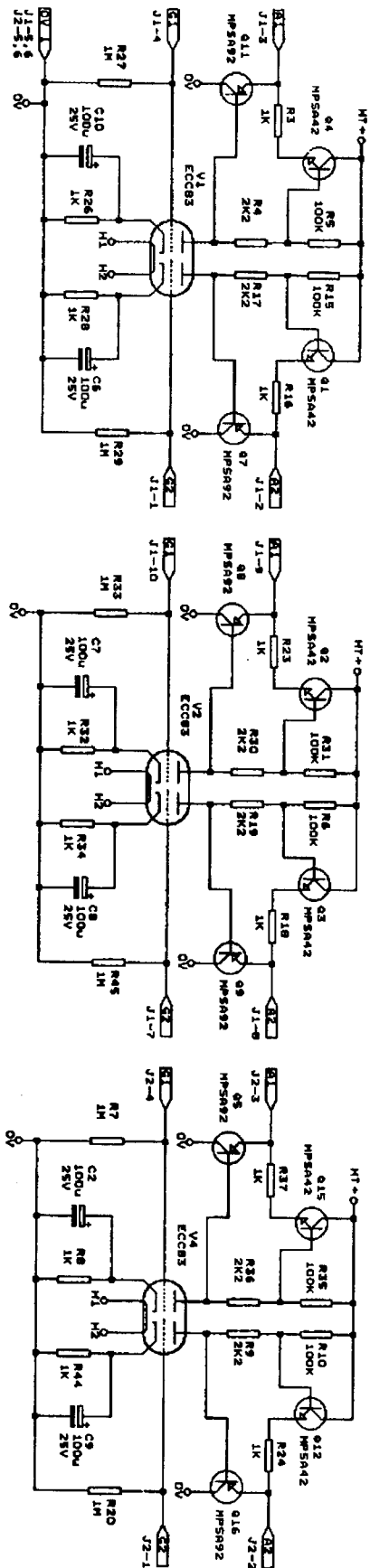
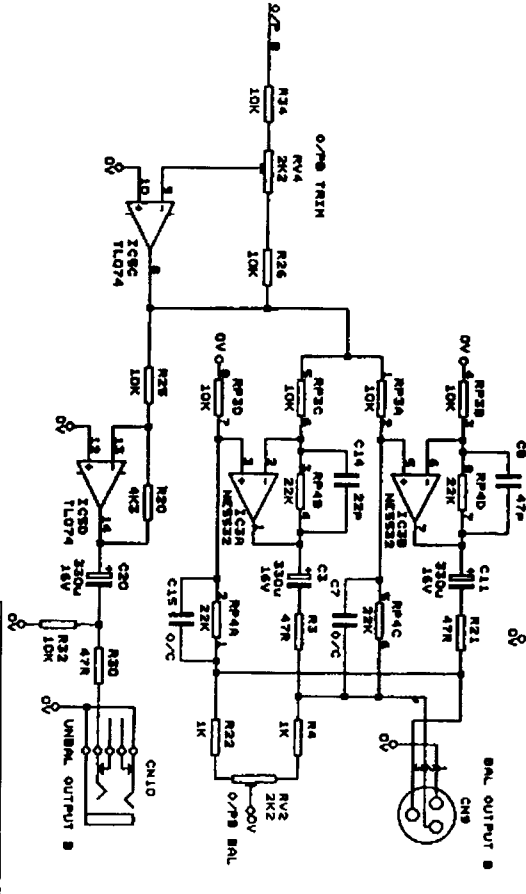
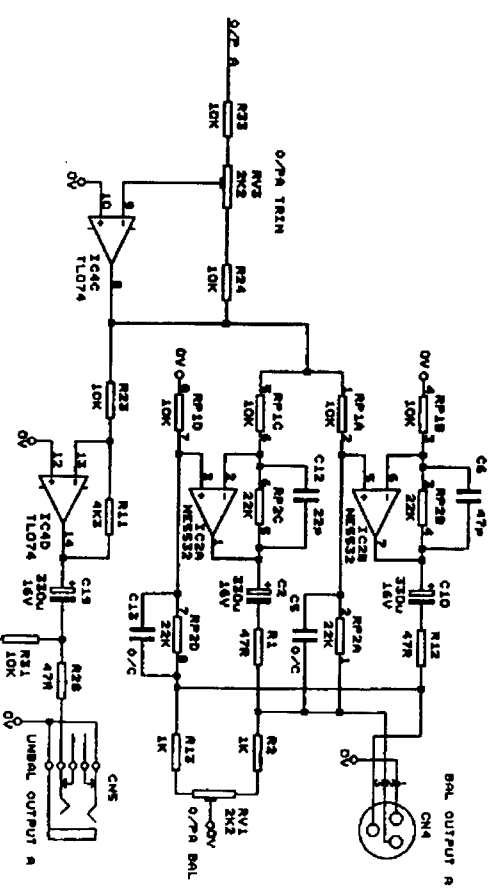
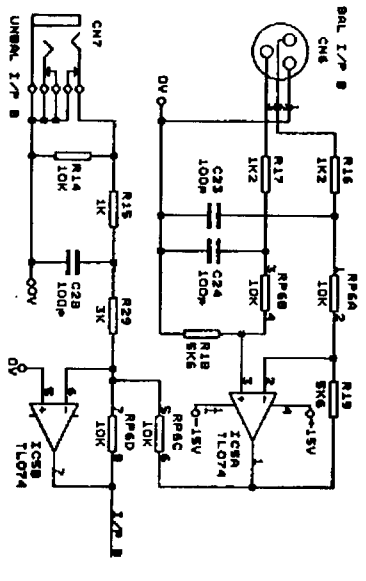
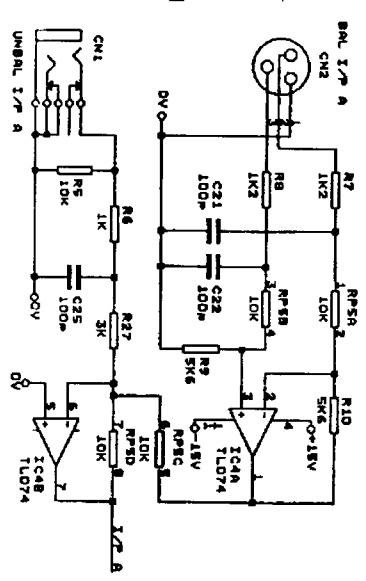


FIG. + EXHIBITS

TL Audio
TITLE COPYRIGHT 1998
STANDARD I/O PCB
Microdocument Number C01133
REV 1
Date: FEBRUARY 11, 1998 Sheet 1 of 5



TL Audio
 Copyright 1988
 Title: INDIGO SERIES VALVE/TRANSISTION PCB
 Size: Document Number: 00134
 REV: FEBRUARY 11, 1988
 1 OF 1



TL Audio
 COPYRIGHT 1996
 FILE #
 STANDARD I/O PCB
 SIZE DOCUMENT NUMBER
 B COL133
 DATE: FEBRUARY 11, 1995
 3 of 3