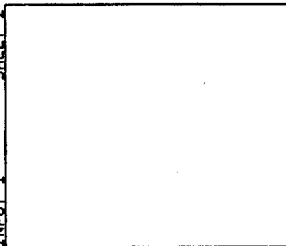
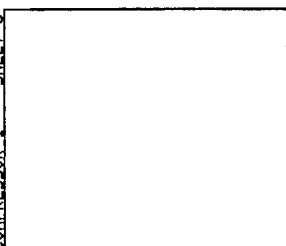


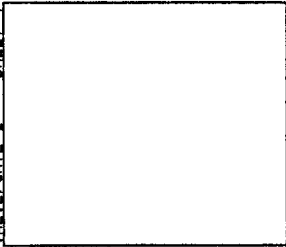
INPUT 1 SHEET 2



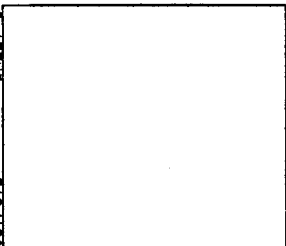
COMPRESSOR 1 SHEET 3



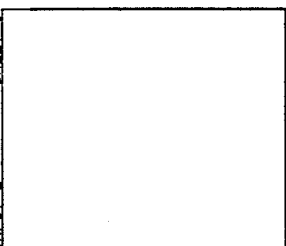
VALVE/GATE 1 SHEET 4



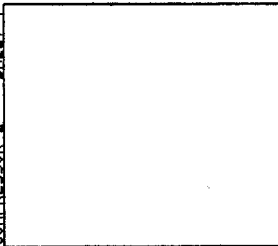
OUTPUTS SHEET 5



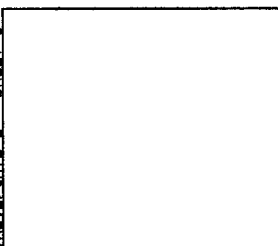
INPUT 2 SHEET 6



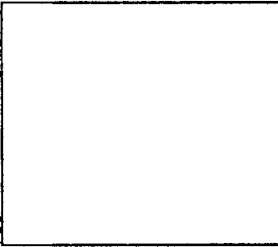
COMPRESSOR 2 SHEET 7



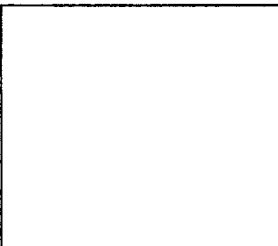
VALVE/GATE 2 SHEET 8



PSU SHEET 9



METERS SHEET 10



NOTES FOR QUALIFIED SERVICE ENGINEERS

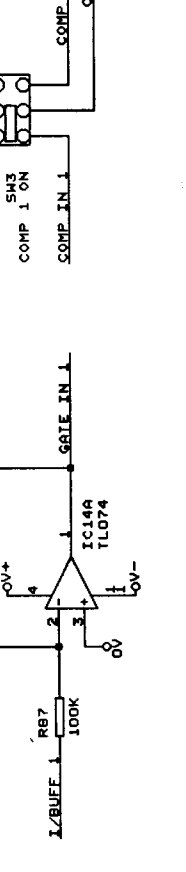
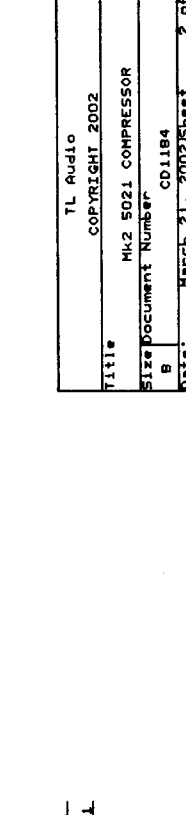
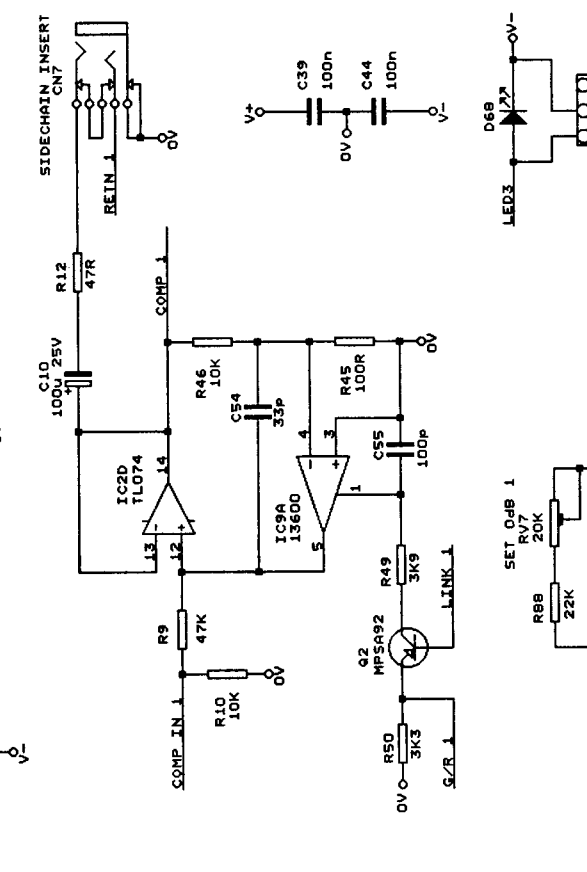
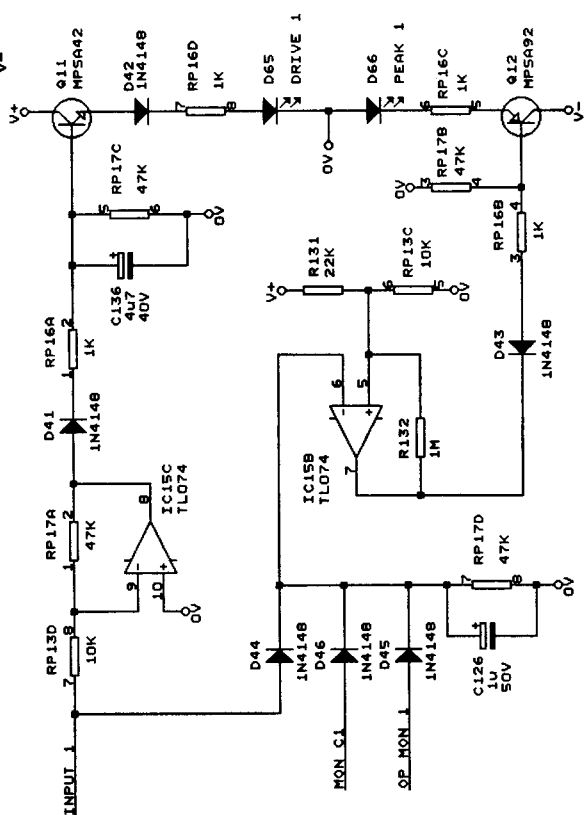
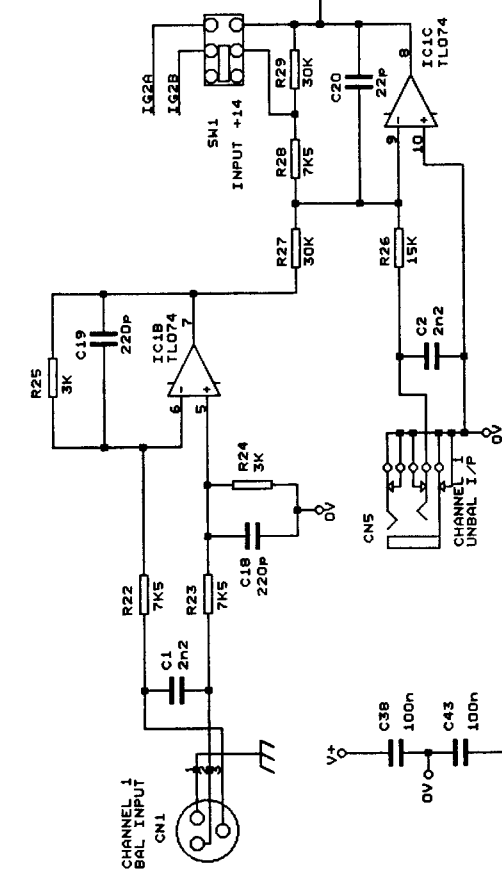
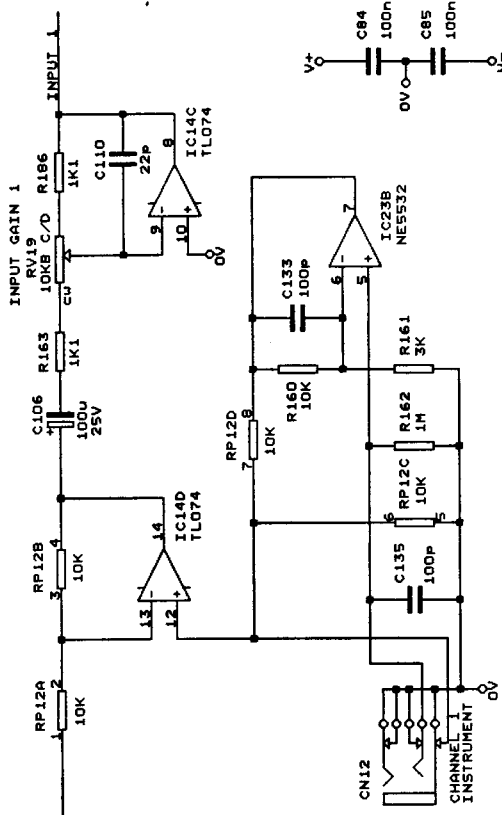
The following voltages exist within this unit under normal working circumstances: 230V (115V) AC Mains and 250V DC. These voltages may take several minutes to decay after the unit is switched off.

CARE MUST BE TAKEN WHEN FAULT FINDING.

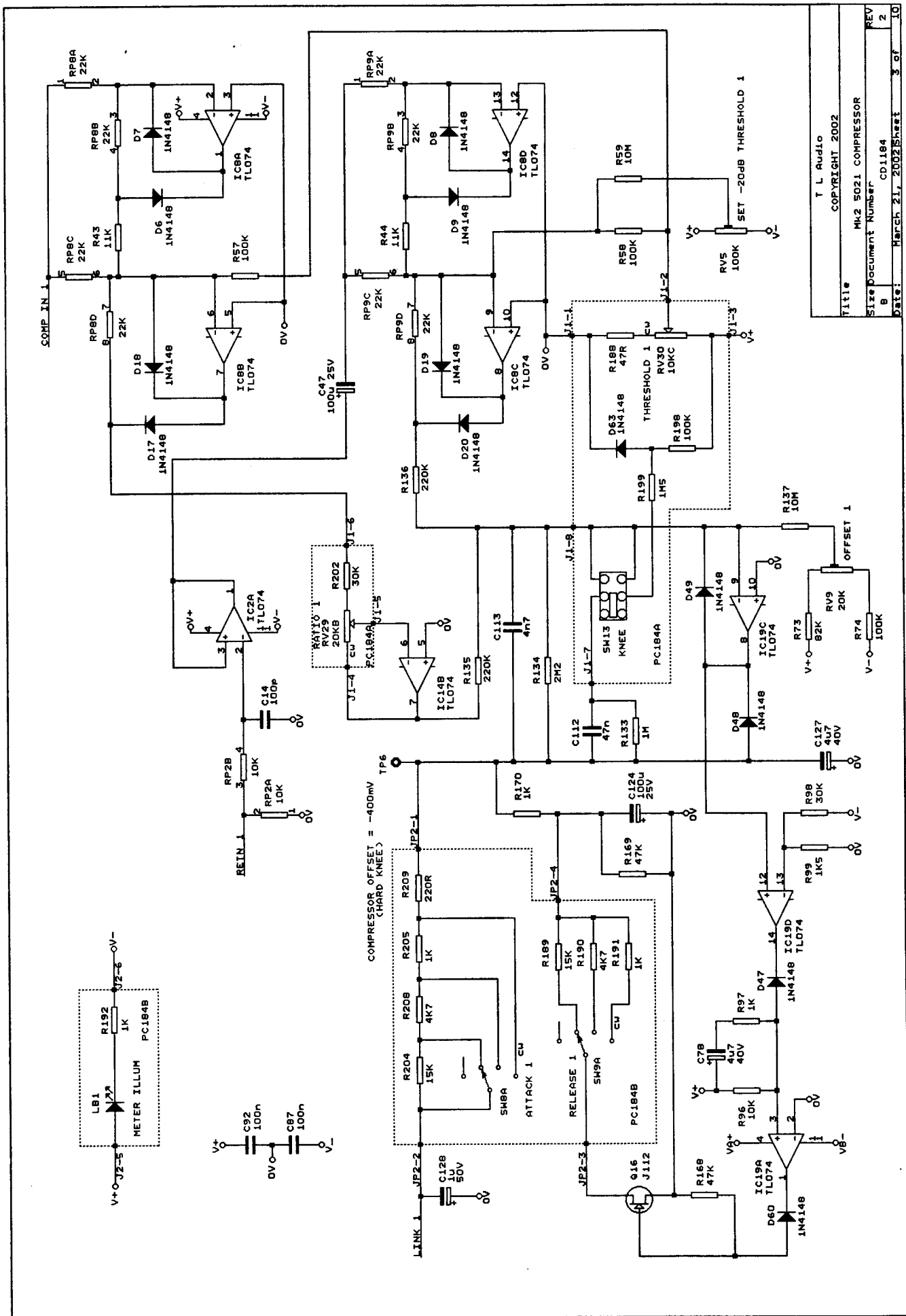
- DO NOT handle the PCB while the unit is connected to the Mains Supply.
- DO NOT use screws with different type or length than those currently fitted.
- DO NOT remove EARTH wires under any circumstances.
- REPLACE all covers removed during servicing.
- During reassembly DO NOT allow wires to be trapped.

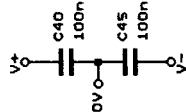
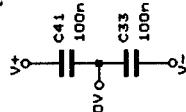
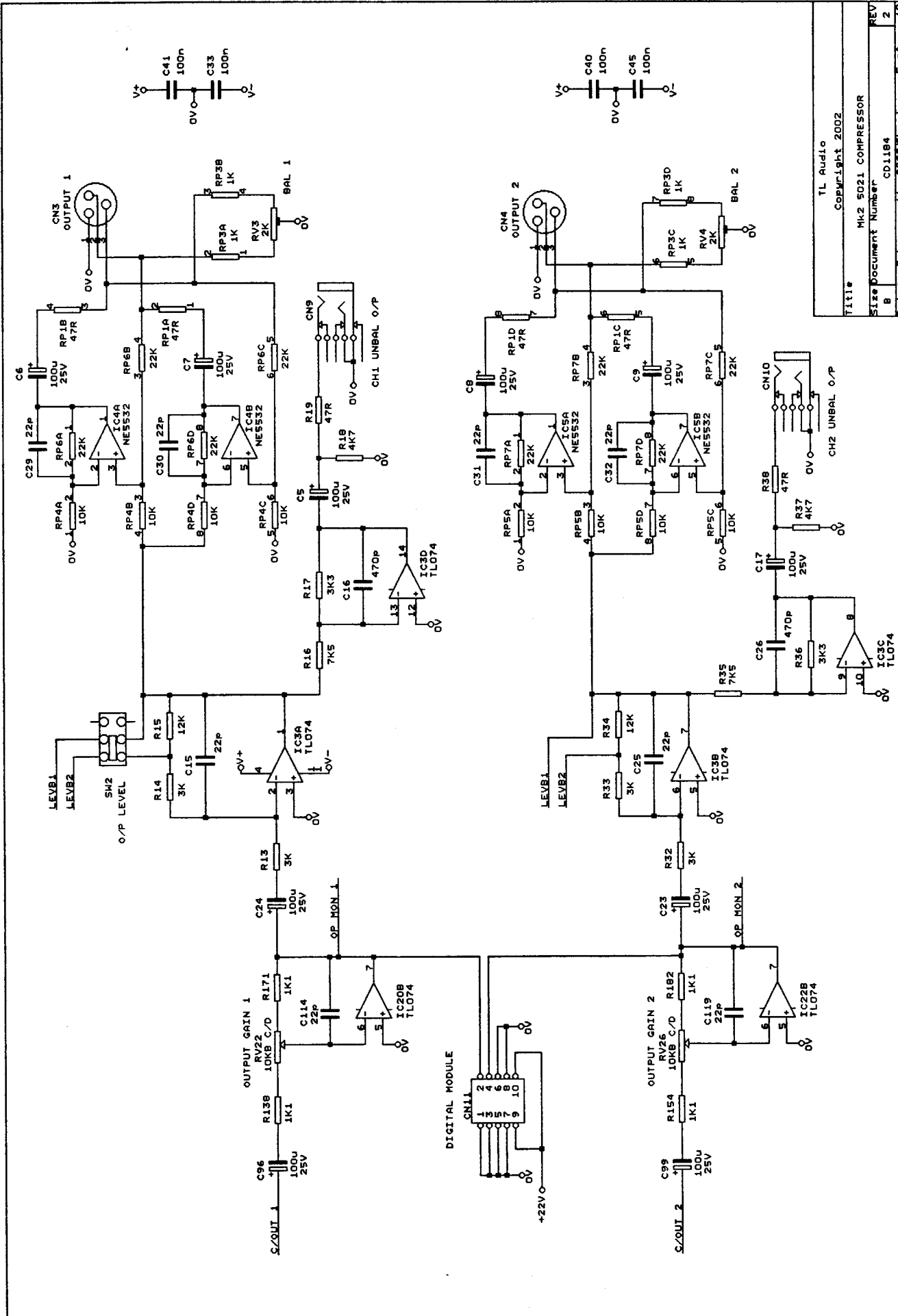
IF IN DOUBT RETURN UNIT TO SUPPLIER.

TL Audio	
COPYRIGHT 2002	
Title	MK2 5021 COMPRESSOR
Size	B
Document Number	CD1184
REV	2
Date	February 11, 2002
Sheet	1 of 10

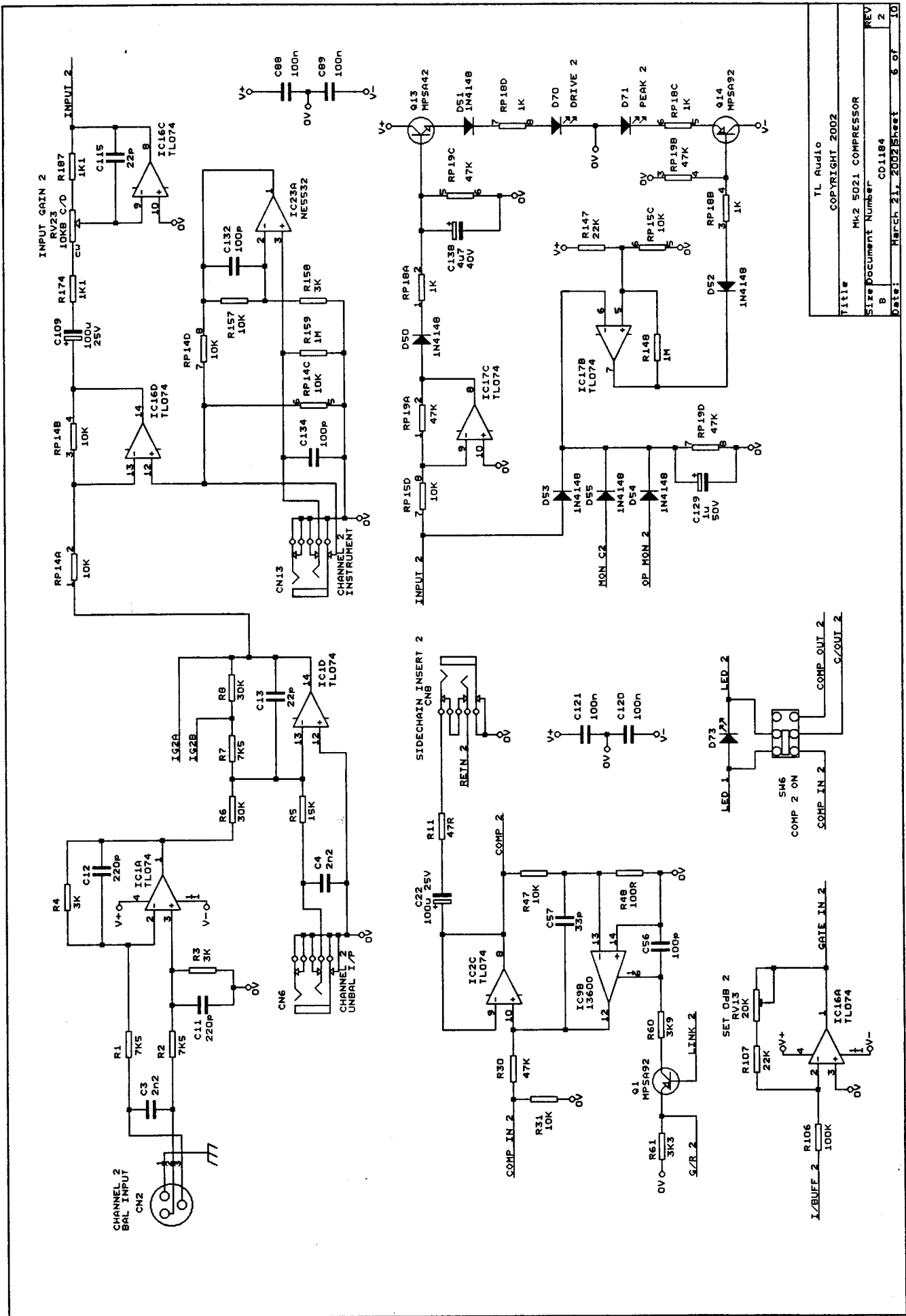


Title: TL Audio
 Copyright: 2002
 Mk2 5021 COMPRESSOR
 Size Document Number: CD1184
 Date: March 21, 2002 Sheet 2 of 10

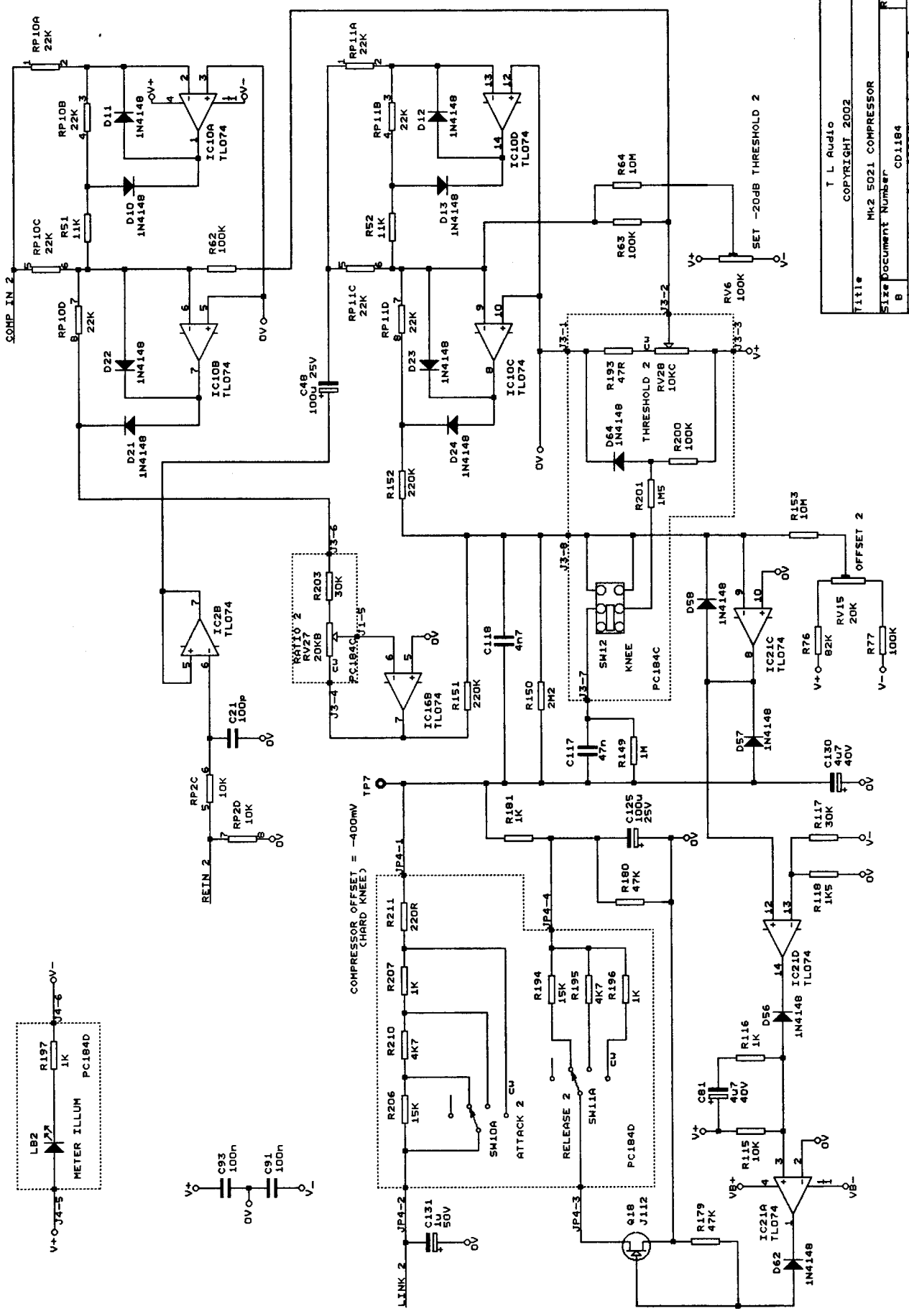




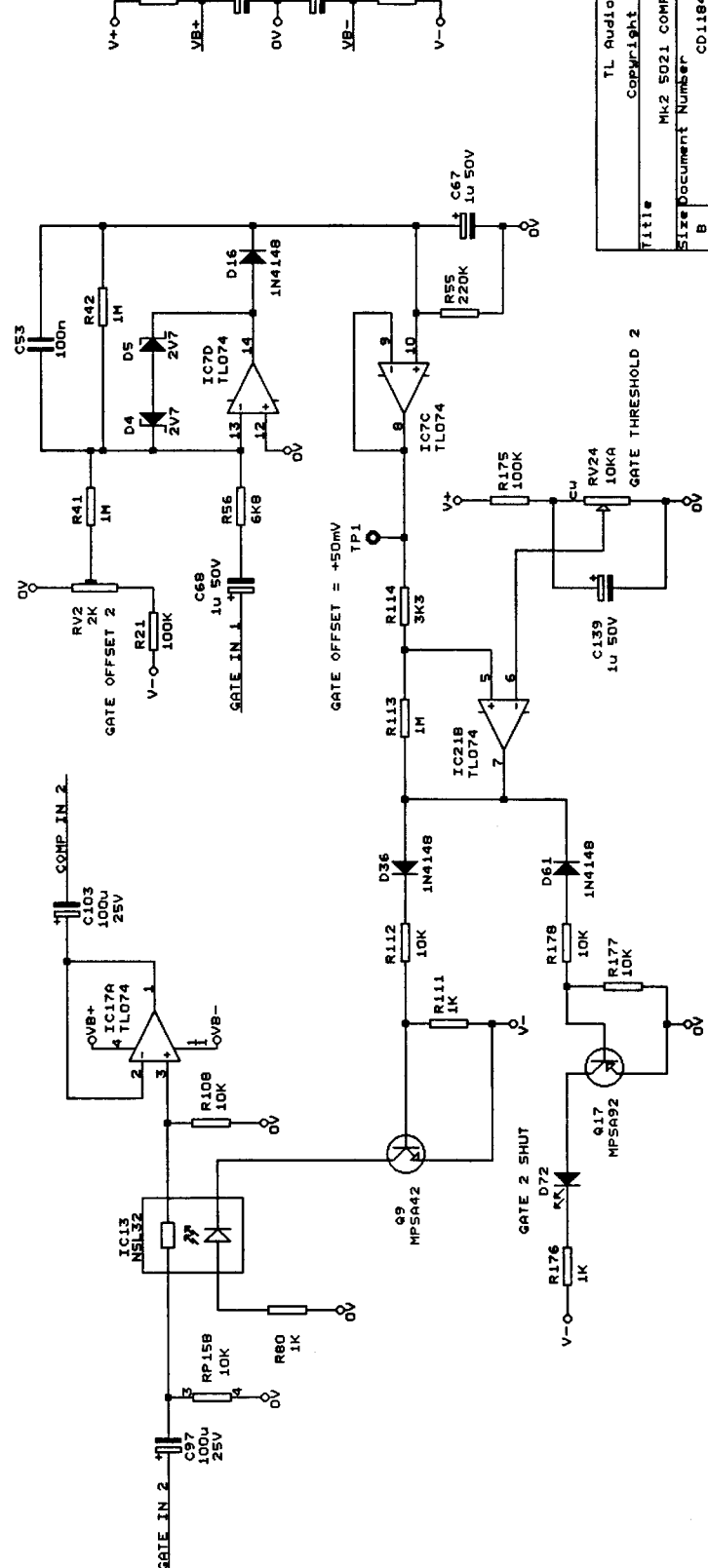
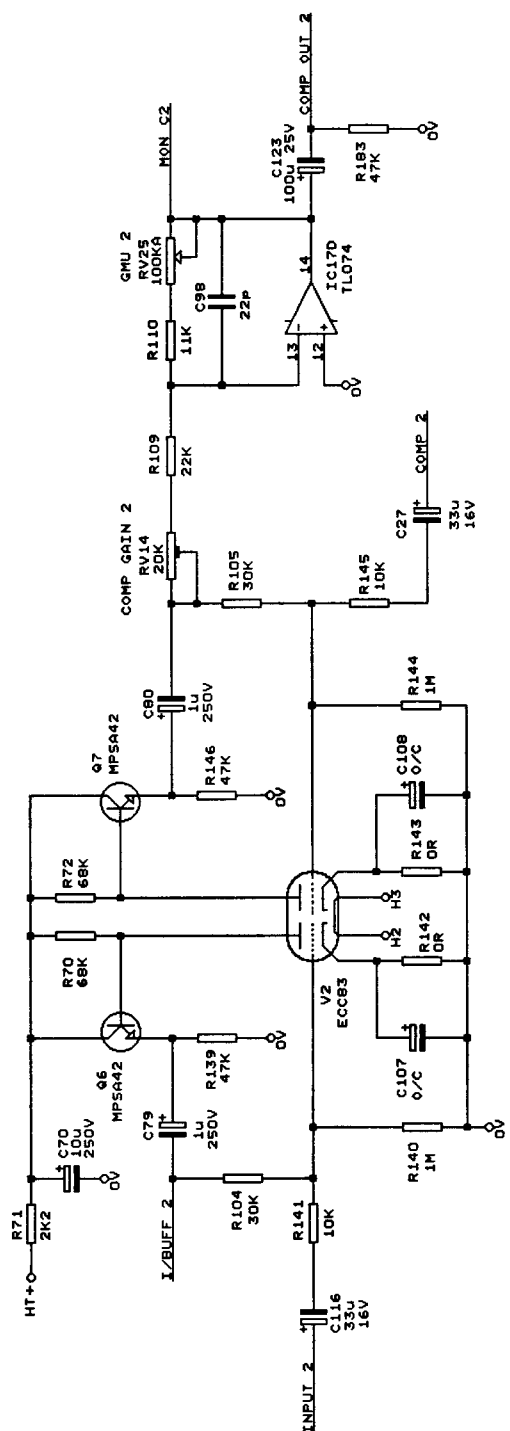
TL Audio
 Copyright 2002
 Mk2 5021 COMPRESSOR
 Size Document Number: CD1184
 B
 Date: February 11, 2002 Sheet 5 of 10



TL Audio
 COPYRIGHT 2002
 Title Mk2 5021 COMPRESSOR
 Size Document Number CD1184
 REV 2
 Date: March 21, 2002 Sheet 6 of 10

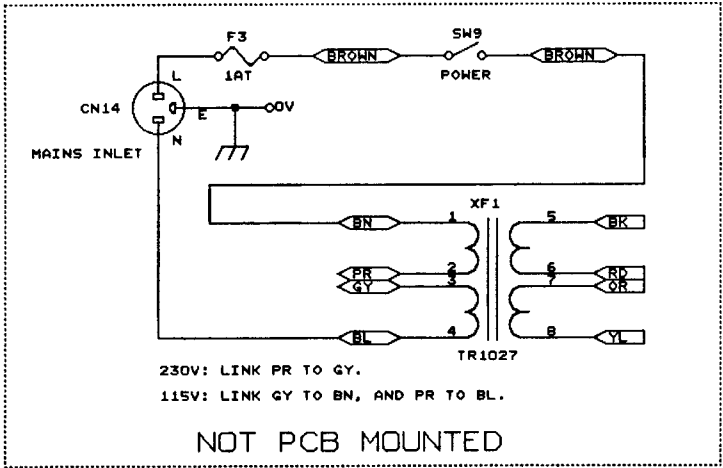
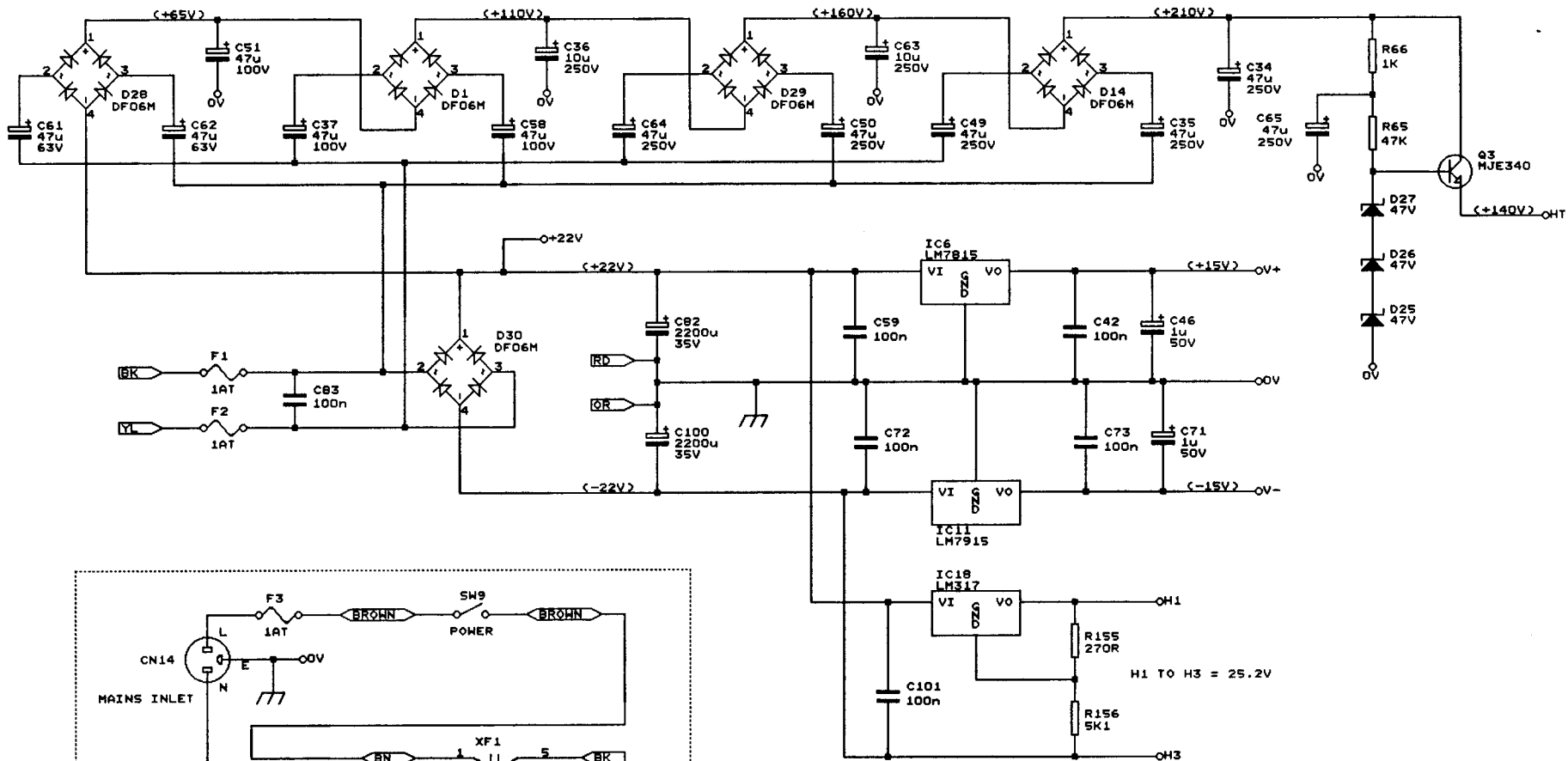


T L Audio
 COPYRIGHT 2002
 Title Mk2 5021 COMPRESSOR
 Size Document Number CD1184
 Date: March 21, 2002 Sheet 7 of 10
 REV 2



Title: TL Audio
 Size: 8
 Document Number: CD1184
 Date: March 22, 2002

Mk.2 5021 COMPRESSOR
 Sheet 8 of 10



230V: LINK PR TO GY.
 115V: LINK GY TO BN, AND PR TO BL.

NOT PCB MOUNTED

TL Audio COPYRIGHT 2002		
Title Mk2 5021 COMPRESSOR		
Size B	Document Number CD1184	REV 2
Date: March 22, 2002		Sheet 9 of 10

